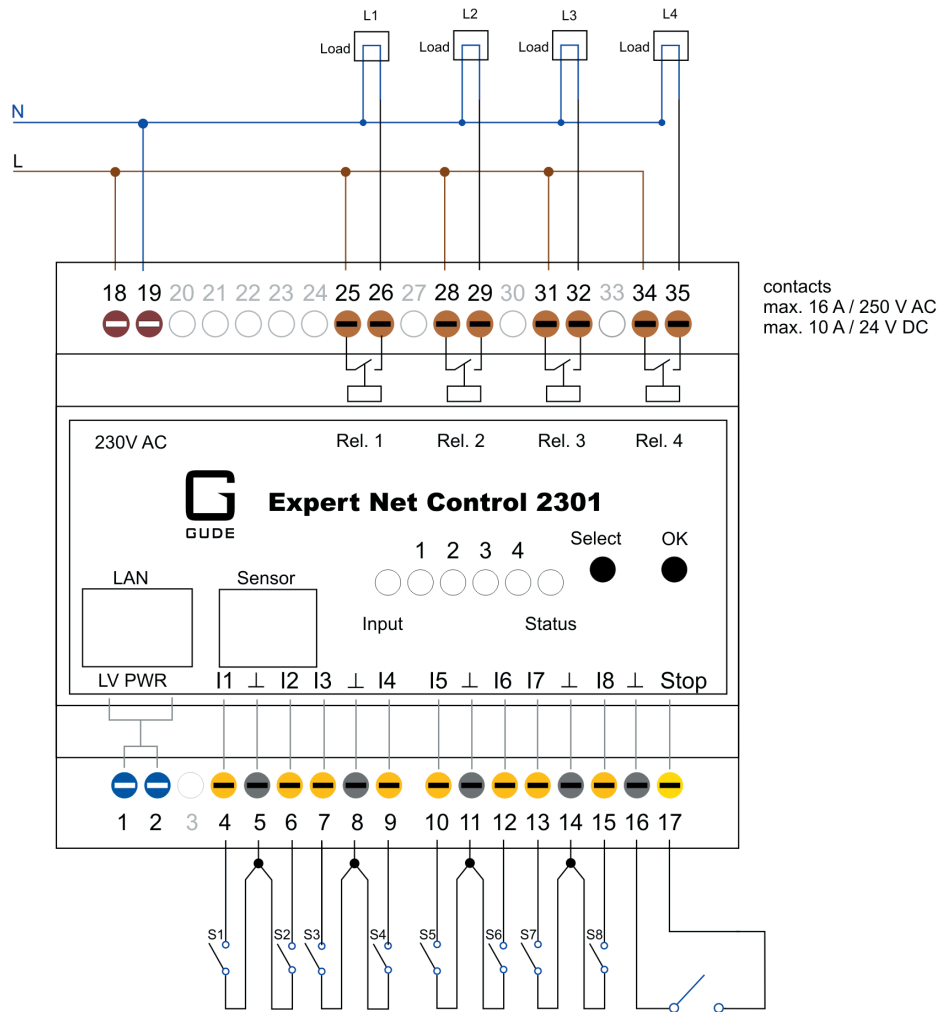


Expert Net Control 2301

Connection Block Diagram

Remote I/O System with 4 switchable relay outputs and 8 passive signal inputs for DIN-rail mounting



If switch at Stop input is closed, all 4 relays are switched off. When opened again, they return to their state preset in configurations.

Order code	Product	Feature	Power supply
2301	Expert Net Control 2301	4 switchable outputs, 8 passive signal inputs, 1 sensor or RS232 interface	230 V AC or 24 V DC
7001	Temperature Sensor 7001	-20°C to +80°C	
7002	Temp./Humidity Sensor 7002	-20°C to +80°C / 0-90% humidity	
7902	DIN Rail Power Supply Unit 7902	Power supply unit for DIN rail, 230 V AC / 12 VDC 1250 mA (not included in delivery)	
7990	RS232 Adapter Cable 7990	Connector cable for RS232 to mini-DIN 6, length ca. 2.3 m	